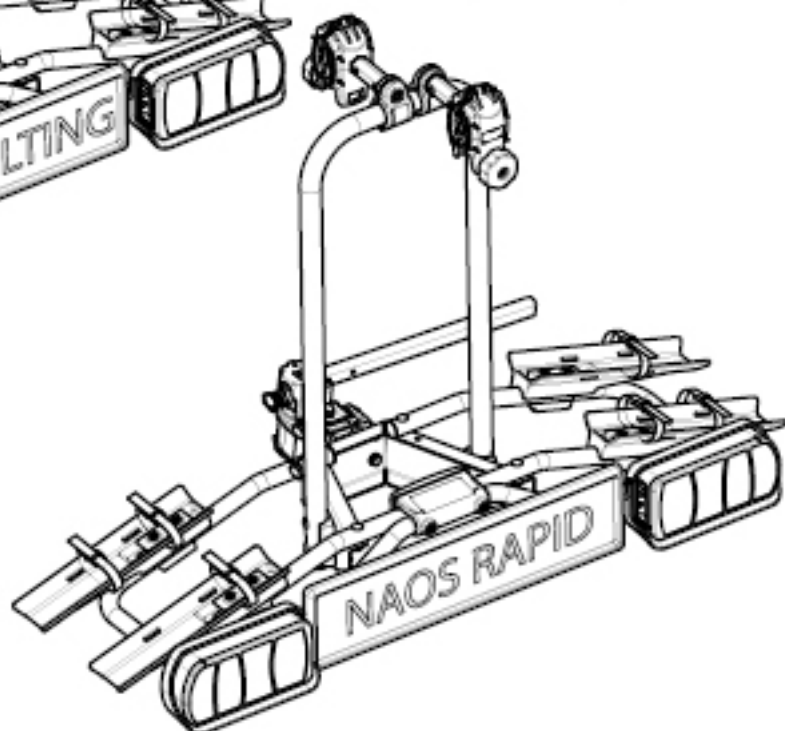
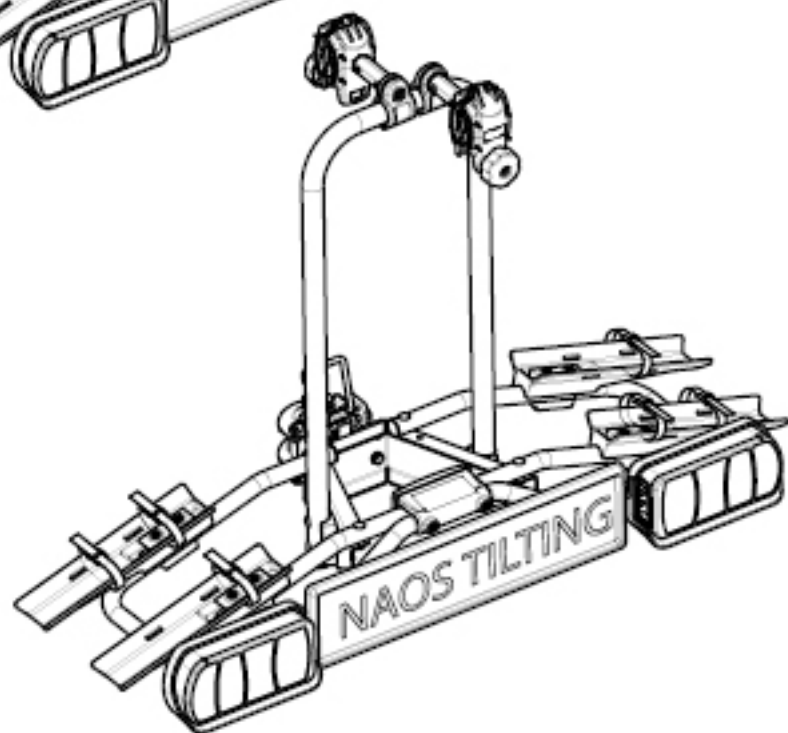
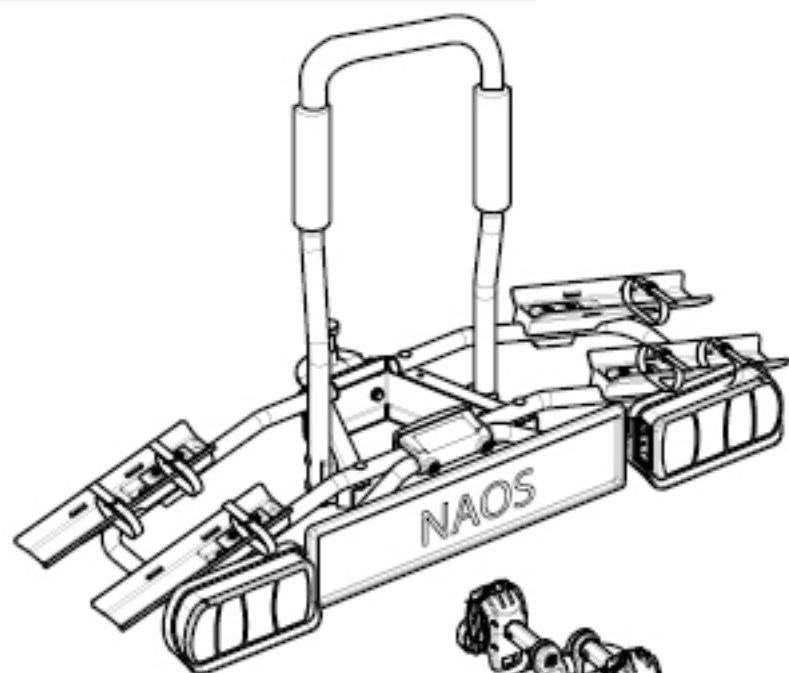


MENABO

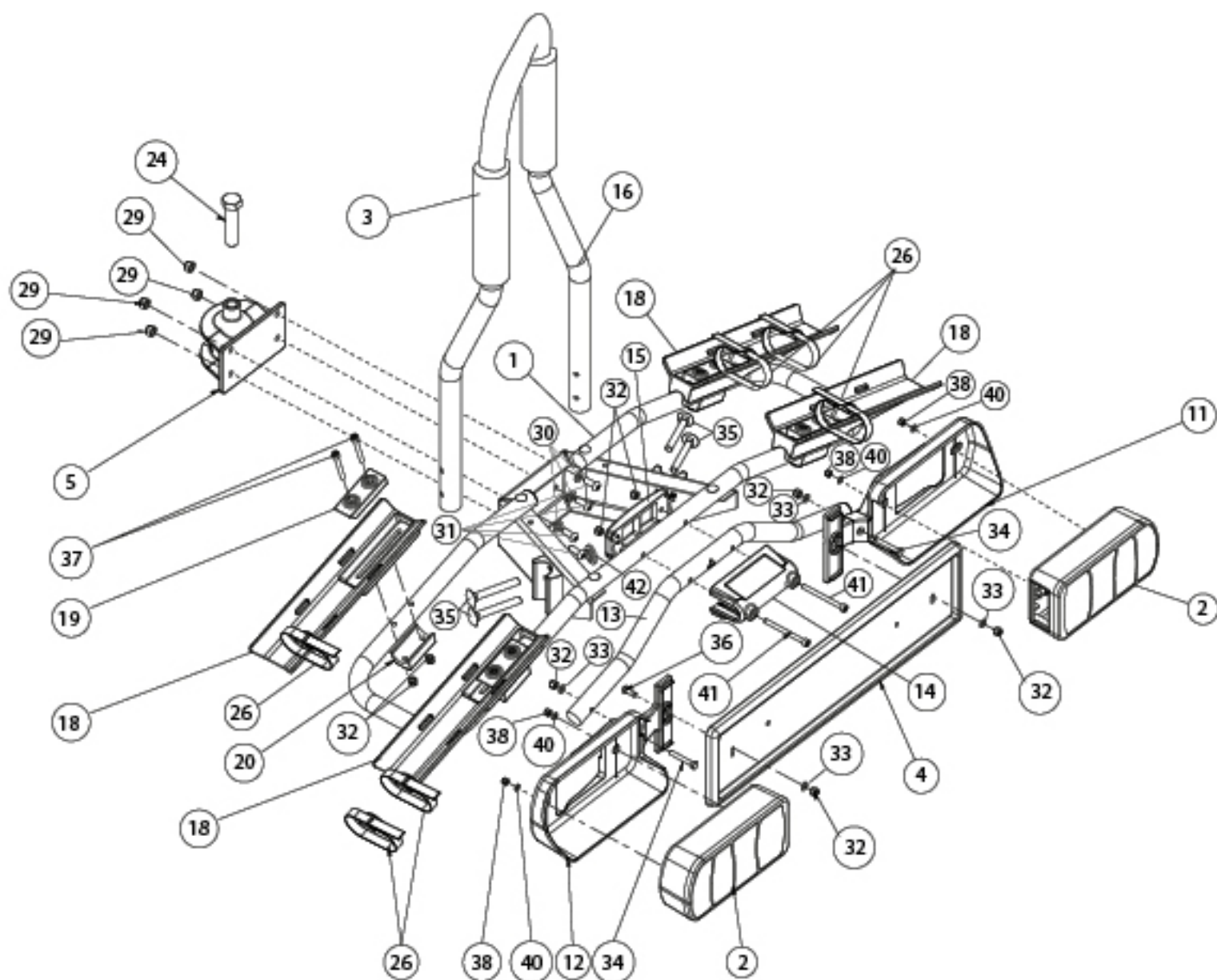
-NAOS
-NAOS TILTING
-NAOS RAPID



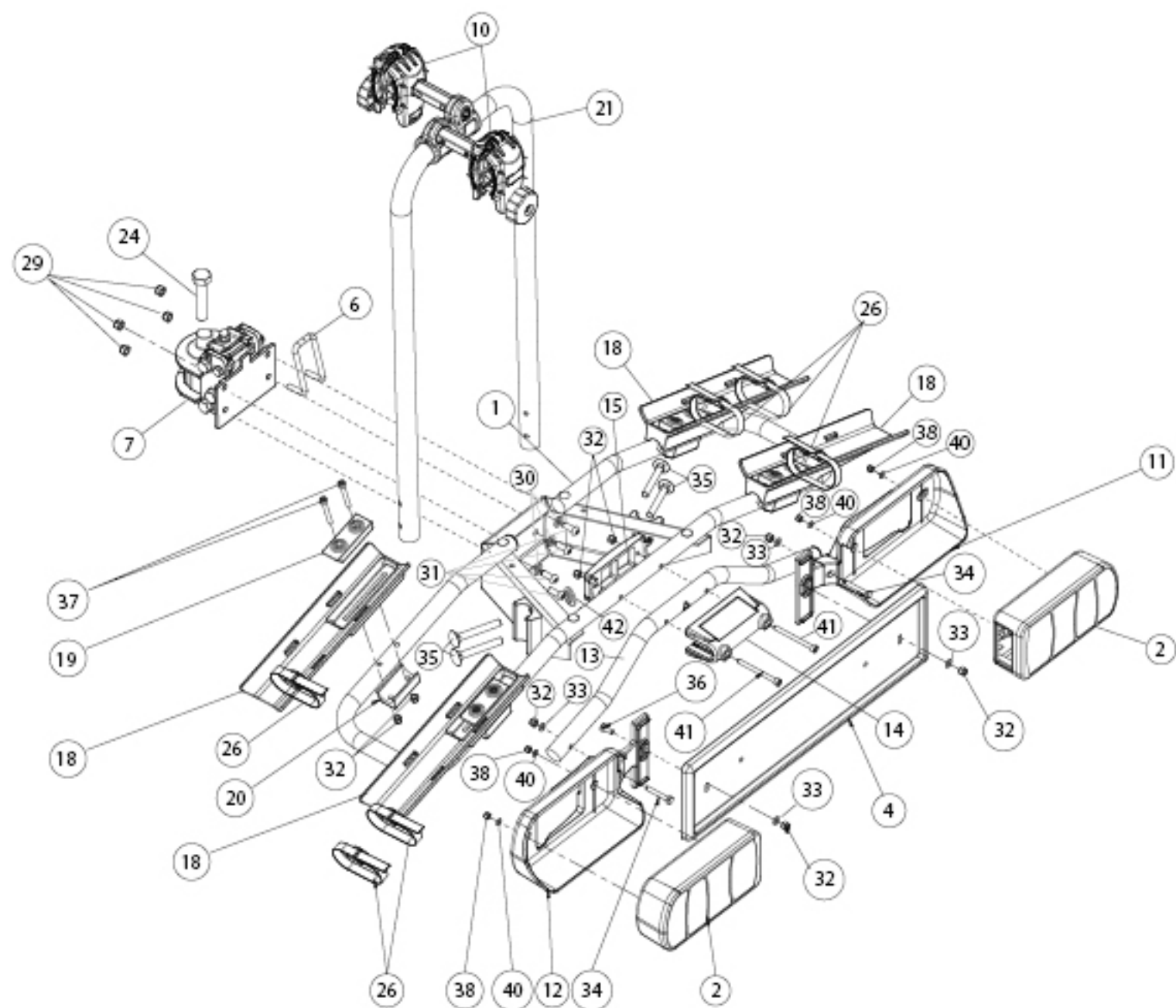
- I** Istruzioni per il montaggio
- GB** Fitting instructions
- D** Montageanleitung
- F** Instructions de montage
- E** Instrucciones de montaje
- NL** Montage-instructies
- PT** Instruções de Montagem
- S** Monteringsanvisning
- FIN** Asennusohje
- EST** Paigaldusjuhend
- LAT** Stiprināšanas instrukcija
- LIT** Pritvirtinimo instrukcijos
- PL** Instrukcja montażu
- RU** Инструкции по установке
- CZ** Návod na montáž
- SK** Návod na montáž
- SLO** Navodila za pritrjevanje
- HR** Uputa za sastavljanje
- HU** A felszerelés módja
- GR** Οδηγίες συναρμολόγησης
- DK** Monteringsvejledning
- RO** Instrucțiuni de montare
- TK** Uydurma talimat
- DK** Montering instruktion
- N** Monteringsveiledning
- 中文** 裝修指導
- العربية** تعليمات المناسب

N.	Komponenti (Indeks) Componentes (Indice) Compartes (Compartes) Die Komponenten (Die Untereinzeigteile) Componentes (Indice) Resursasari (Resursasari)	NAOS	NAOS TILTING	NAOS RAPID
		Q.	Q.	Q.
1		1	1	1
2		1	1	1
3		2	-	-
4		1	1	1
5		1	-	-
6		-	1	1
7		-	1	-
8		-	-	1
9		-	-	1
10		-	2	2
11		1	1	1
12		1	1	1
13		1	1	1
14		1	1	1
15		1	1	1
16		1	-	-
17		-	-	1
18		4	4	4
19		4	4	4
20		4	4	4
21		-	1	1
22		2	-	-
23		1	1	1
24		1	1	-
25		1	1	1
26		6	6	6
27		2	2	2
28		1	1	1
29		4	4	4
30		8	4	4
31		4	4	4
32		18	18	18
33		2	2	2
34		2	2	2
35		4	4	4
36		2	2	2
37		8	8	8
38		4	4	4
39		2	2	2
40		4	4	4
41		2	2	2
42		4	4	4

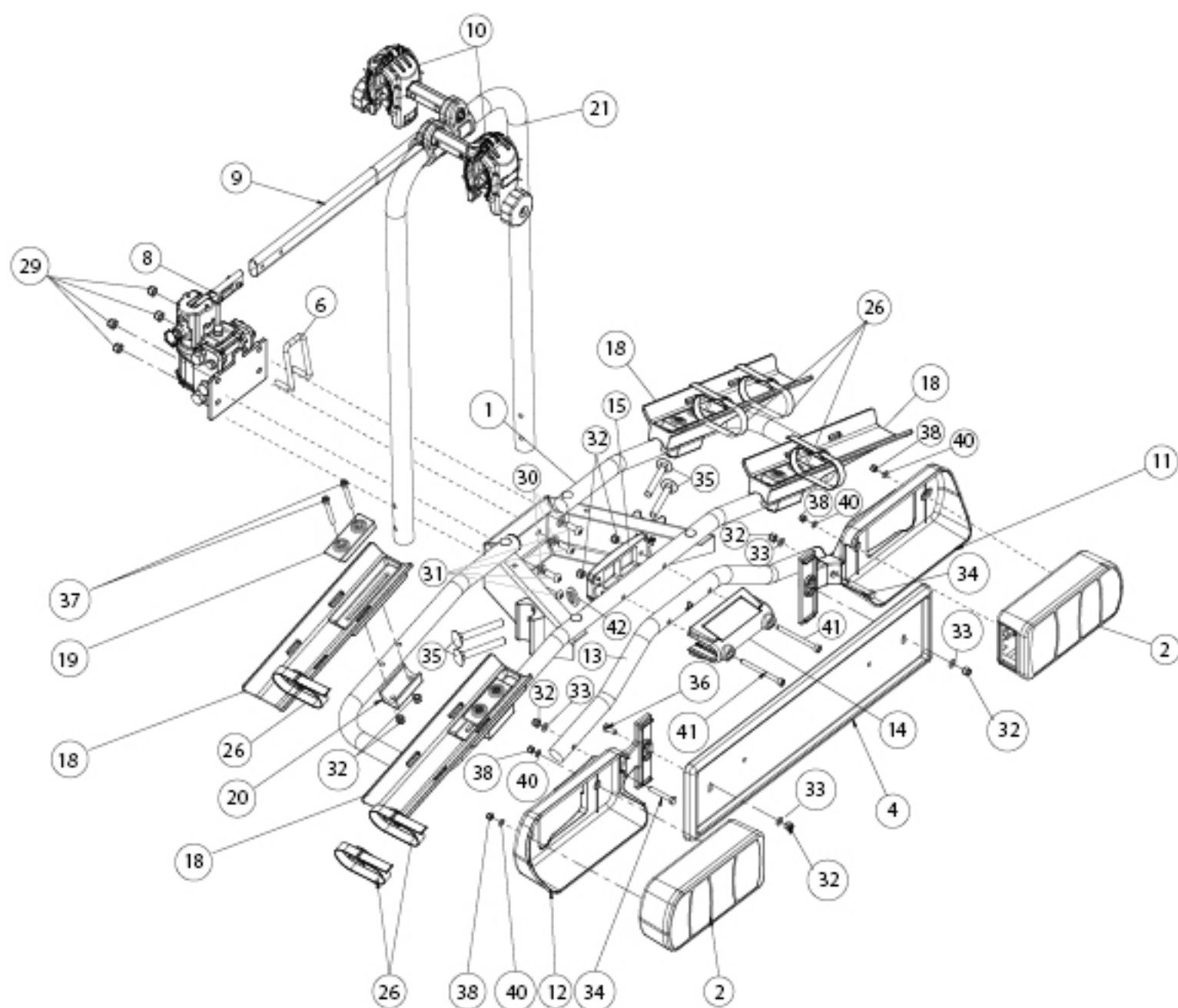
N.	Ricambi (Ricambi) Spare Parts (Ricambi) Pièces de rechange (Sur commande) Piezas de recambio (Piezas selladas) Teile (auf Anfrage) Resursasari (Resursasari)	NAOS	NAOS TILTING	NAOS RAPID	Code Code Code Código Code код
		Q.	Q.	Q.	
1		-	-	-	-
2		1	1	1	700003300000
3		2	-	-	700007200000
4		1	1	1	700007500000
5		-	1	1	700003200000
6		1	-	-	700004300000
7		-	1	-	700011500000
8		-	-	1	700011400000
9		-	-	1	
10		-	2	2	700003200000
11		1	1	1	700007300000
12		1	1	1	700007400000
13		1	1	1	-
14		1	1	1	700020500000
15		1	1	1	
16		1	-	-	-
17		-	-	-	-
18		1	1	1	
19		1	1	1	700020600000
20		1	1	1	
21		-	1	1	-
22		1	-	-	700007700000
23		-	-	-	-
24		1	1	-	700004100000
25		1	1	1	700001100000
26		6	6	6	700003600000
27		-	-	-	-
28		1	1	1	700017500000
29		4	4	4	
30		8	4	4	700020700000
31		4	4	4	
32		18	18	18	
33		2	2	2	
34		2	2	2	
35		4	4	4	700020800000
36		2	2	2	
37		8	8	8	
38		4	4	4	
39		2	2	2	
40		4	4	4	700020900000
41		2	2	2	
42		4	4	4	



NAOS TILTING

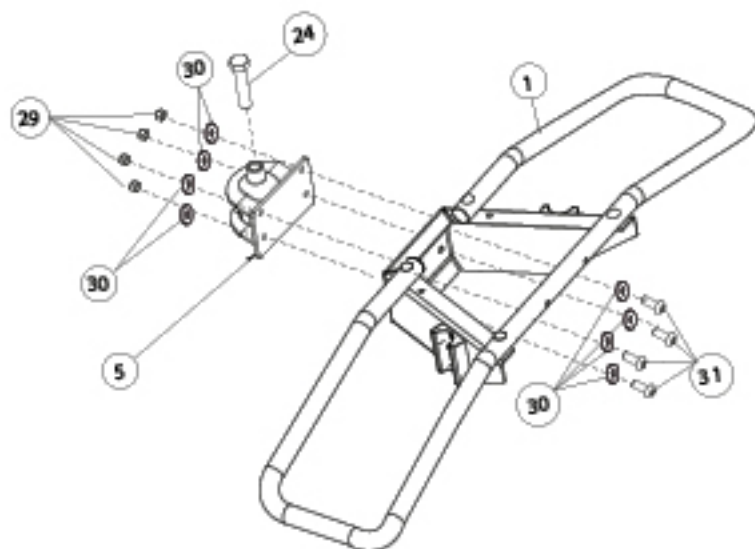


NAOS RAPID



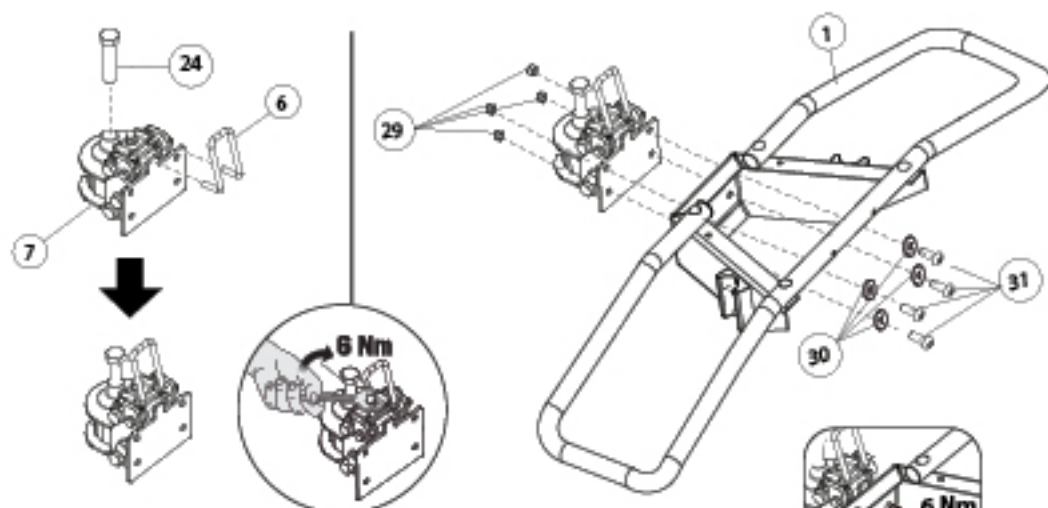
NAOS

N		Q
1		1
5		1
23		1
24		1
29		4
30		8
31		4



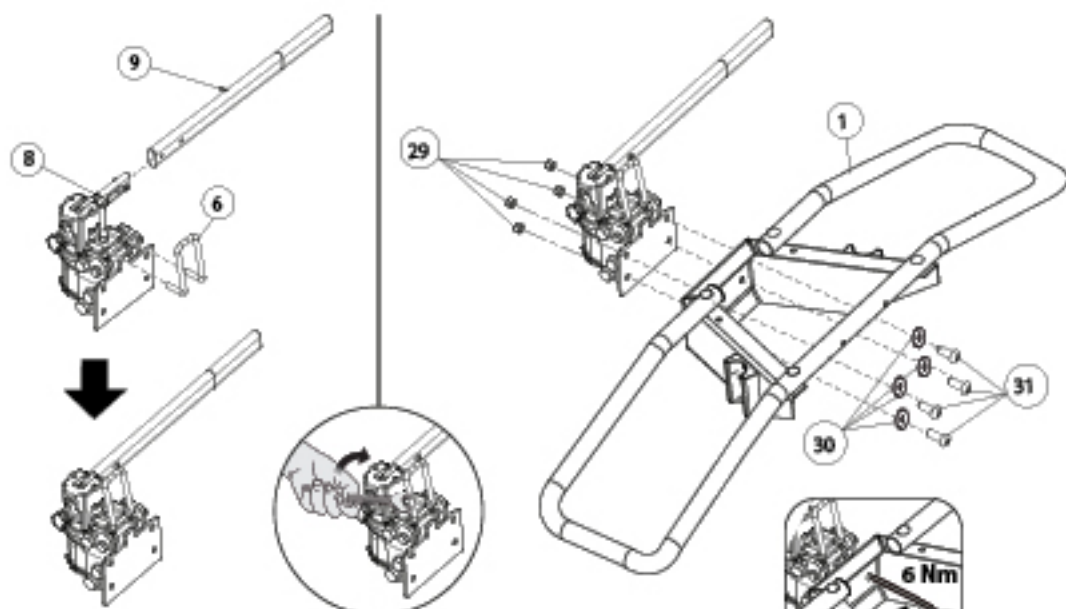
NAOS TILTING

N		Q
1		1
6		1
7		1
23		1
24		1
29		4
30		4
31		4



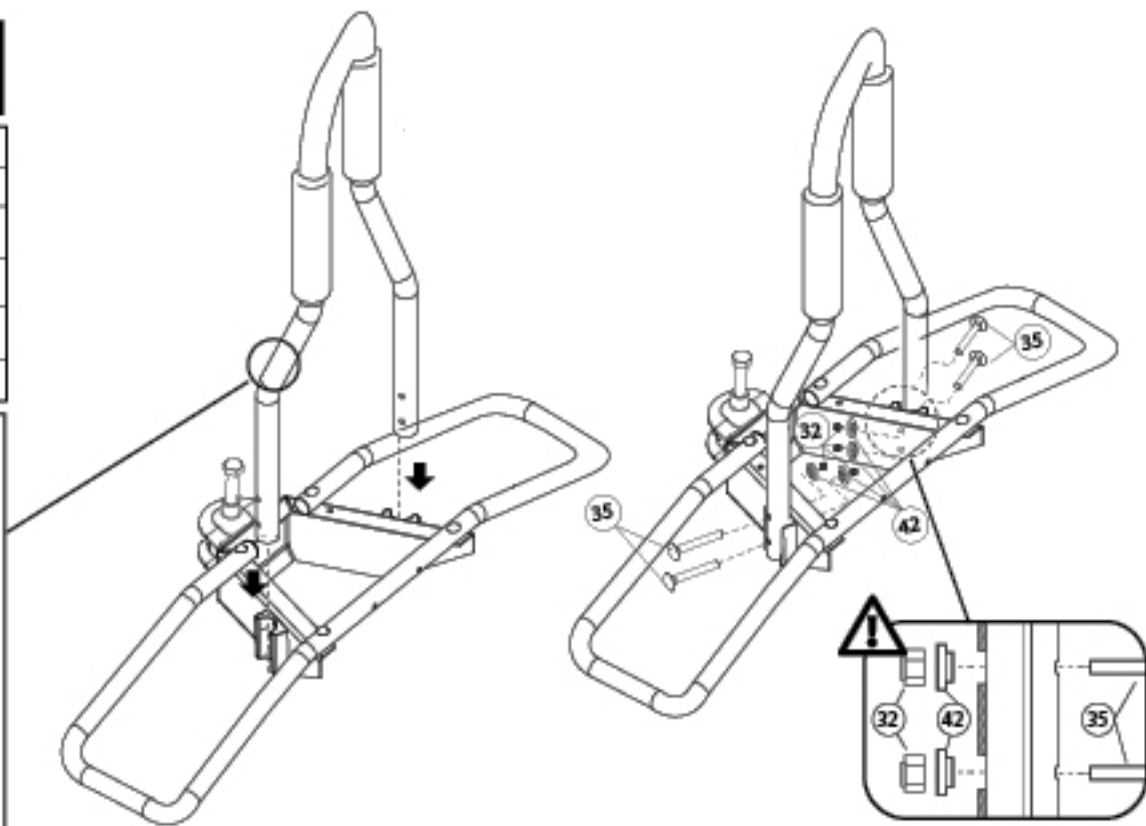
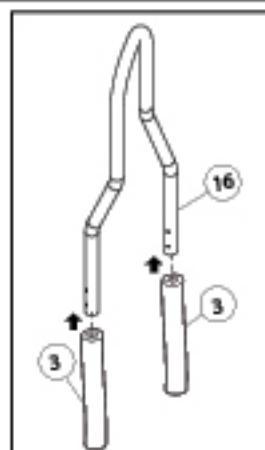
NAOS RAPID

N		Q
1		1
6		1
8		1
9		1
23		1
29		4
30		4
31		4



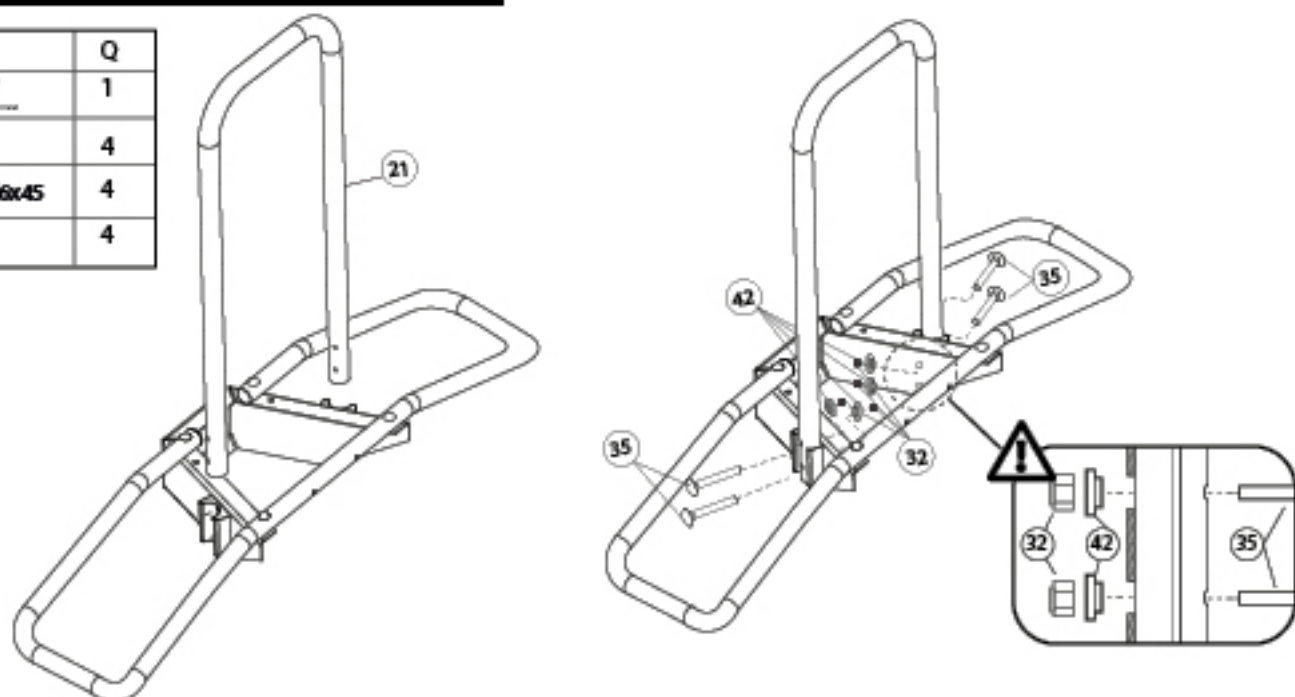
NAOS

N		Q
3		2
16		1
32	M6	4
35	M6x45	4
42		4

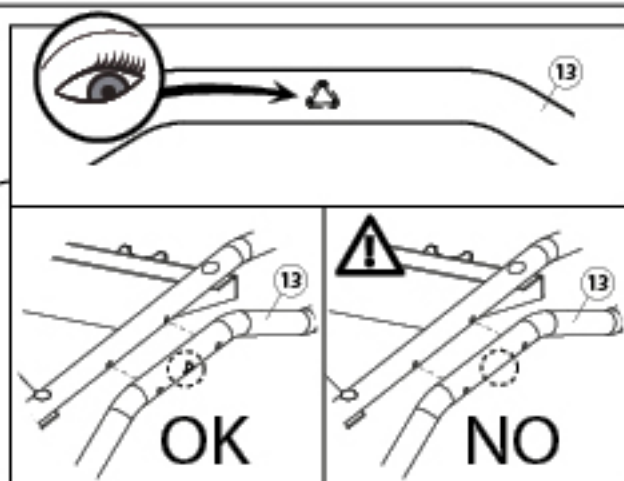
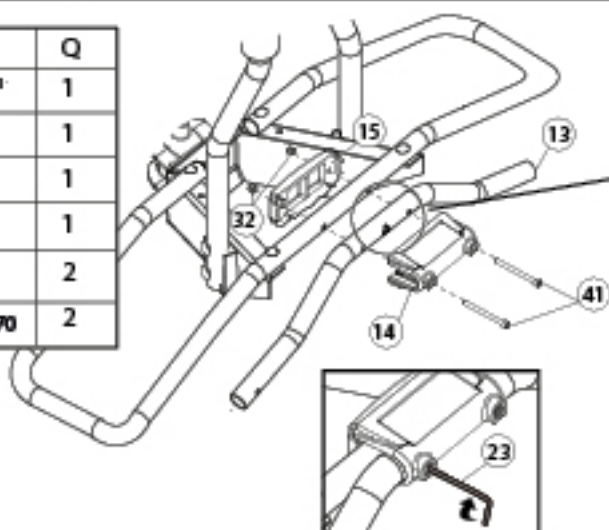


NAOS TLTING / NAOS RAPID

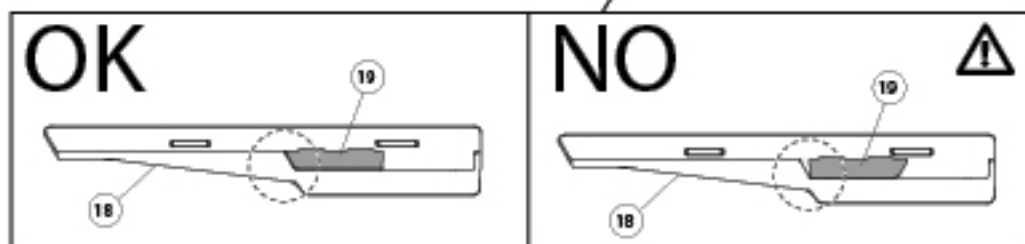
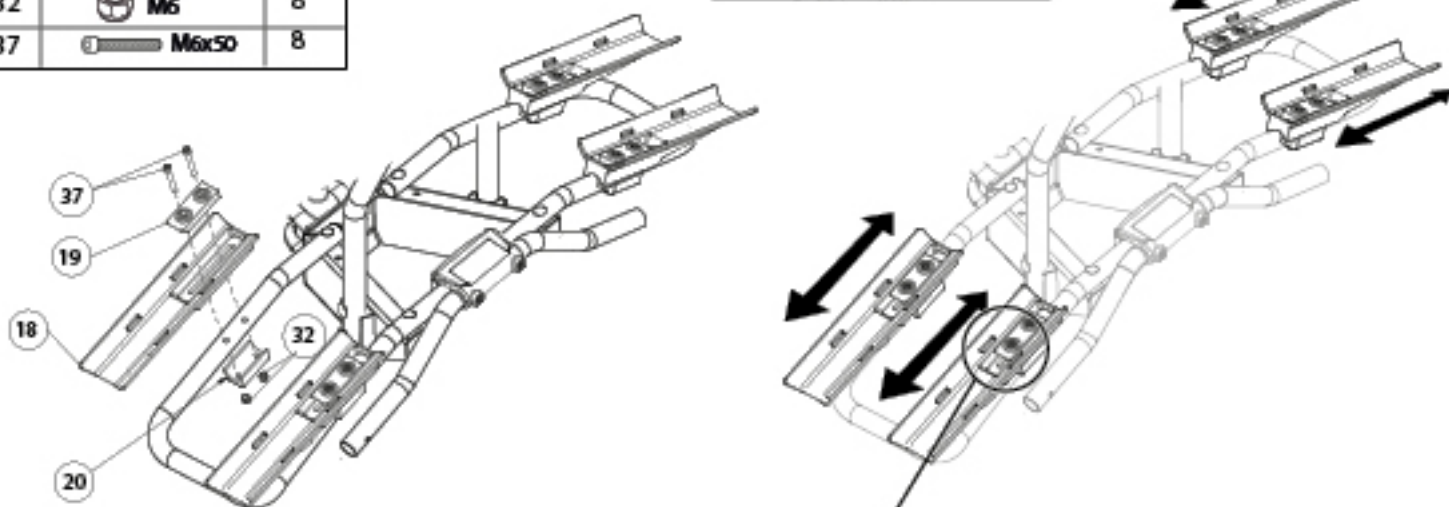
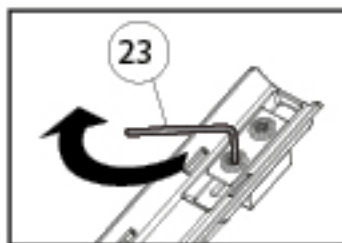
N		Q
21		1
32	M6	4
35	M6x45	4
42		4



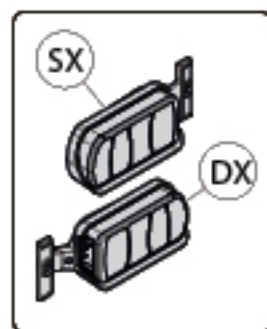
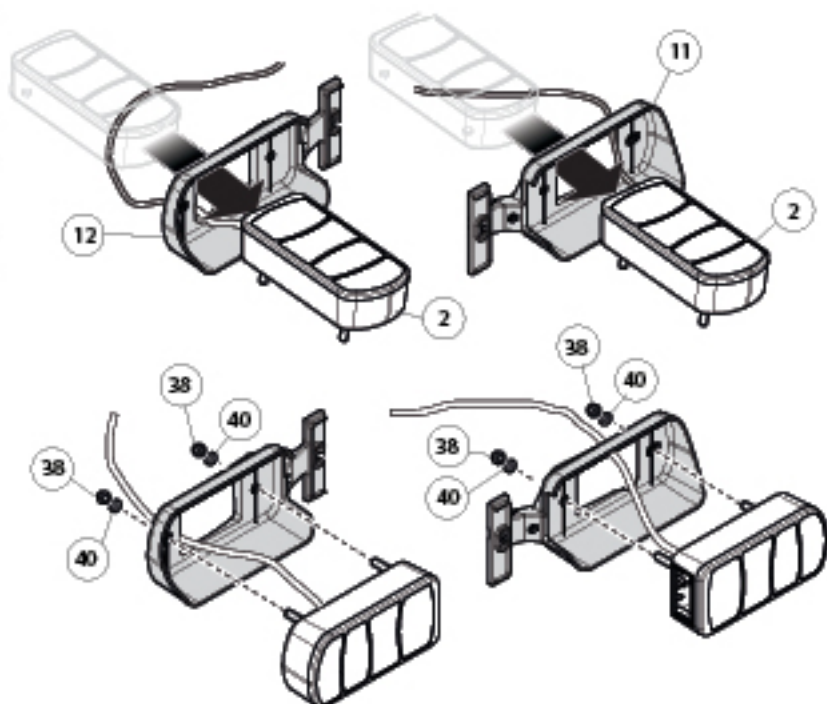
N		Q
13		1
14		1
15		1
23	5mm	1
32	M6	2
41	M6x70	2








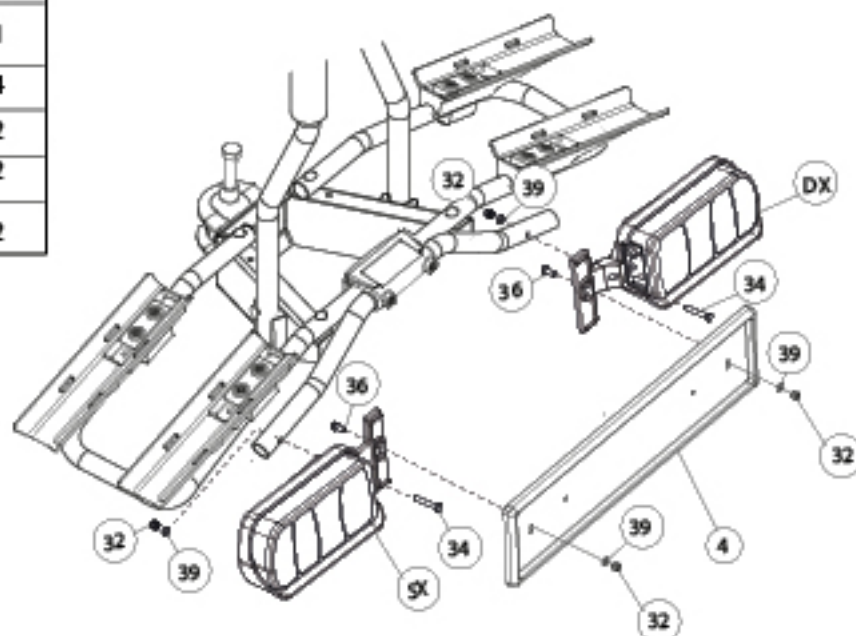
N		Q
18		4
19		4
20		4
23		1
32		8
37		8



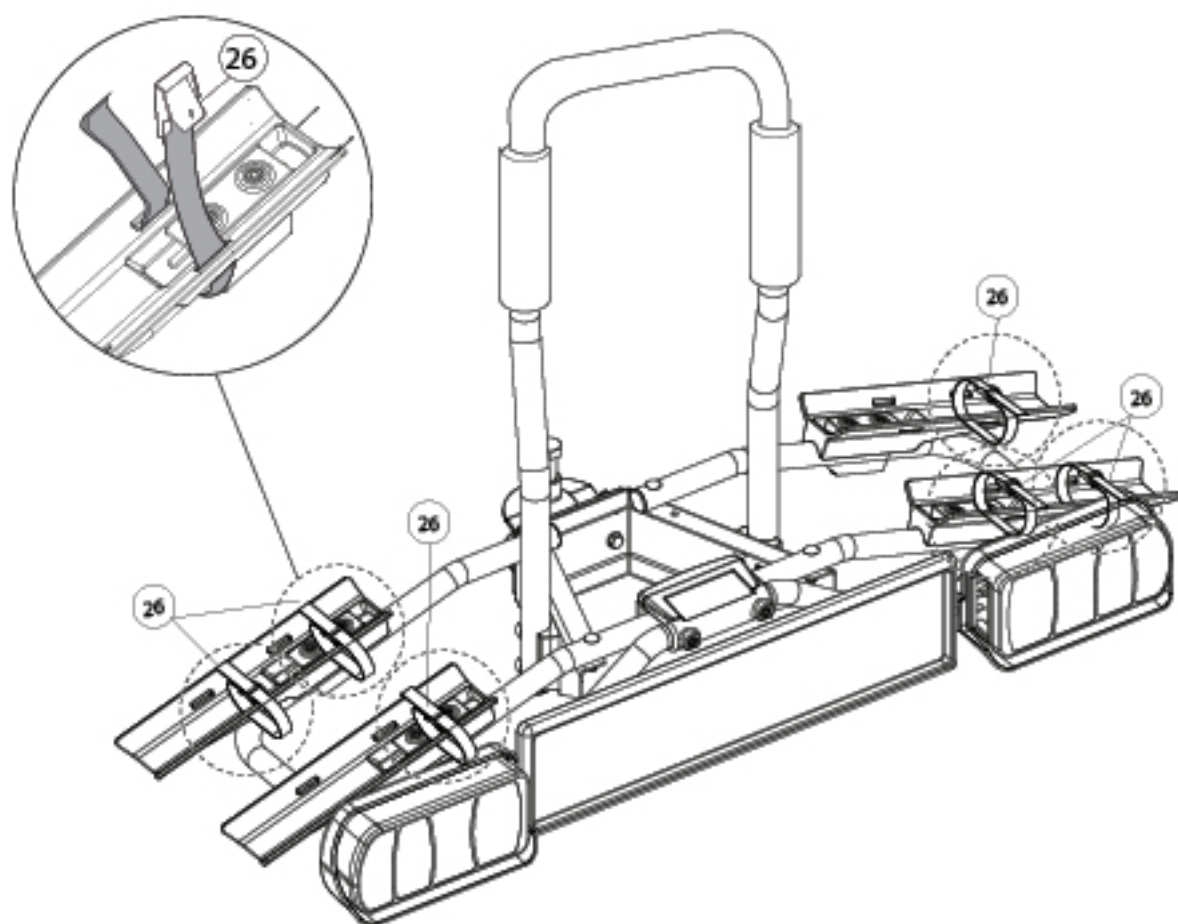
N		Q
2		1
11		1
12		1
38		4
40		4




N		Q
4		1
32	 M6	4
34	 M6X35	2
36	 M6X14	2
39	 6x18	2

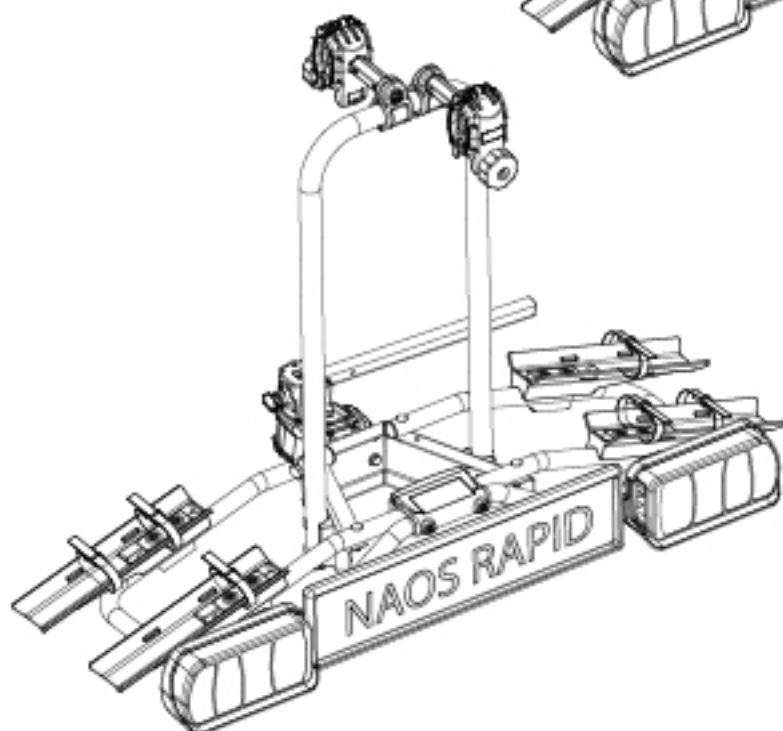
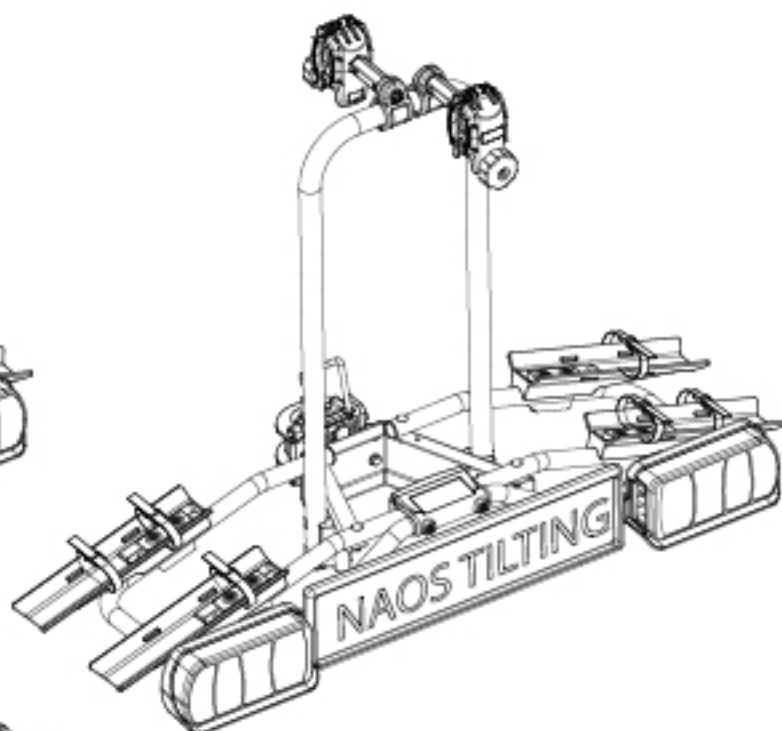
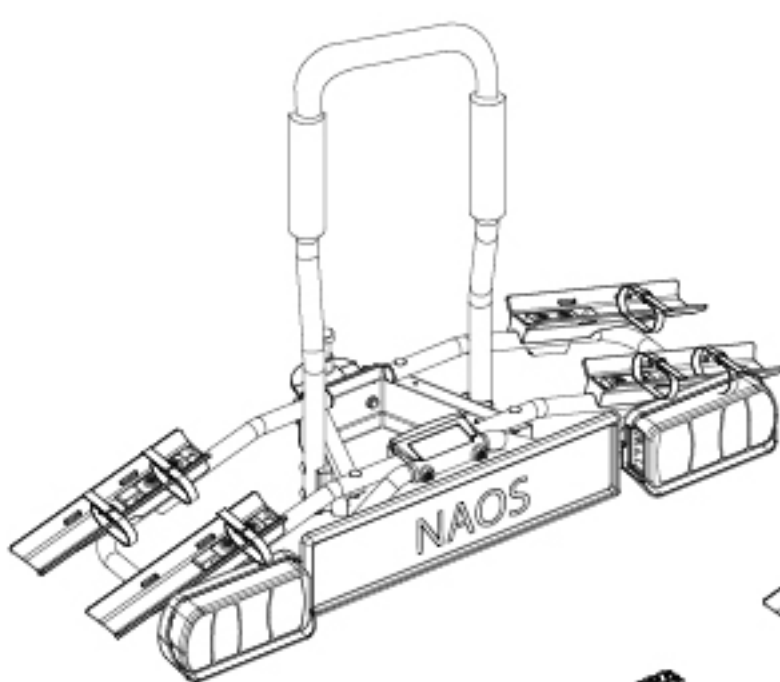
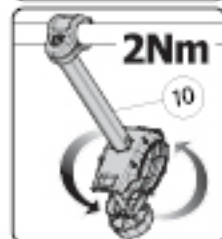
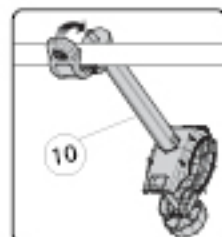
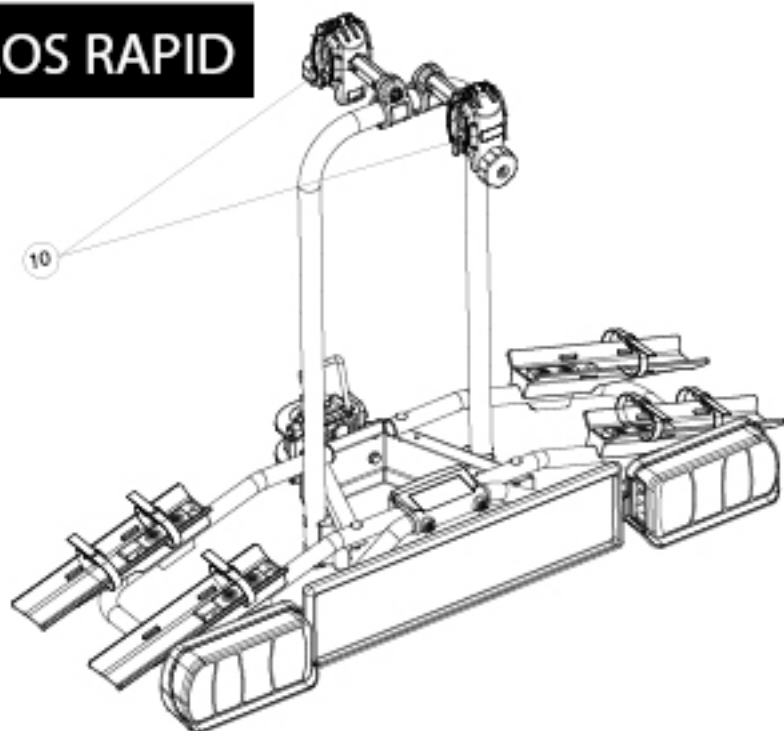


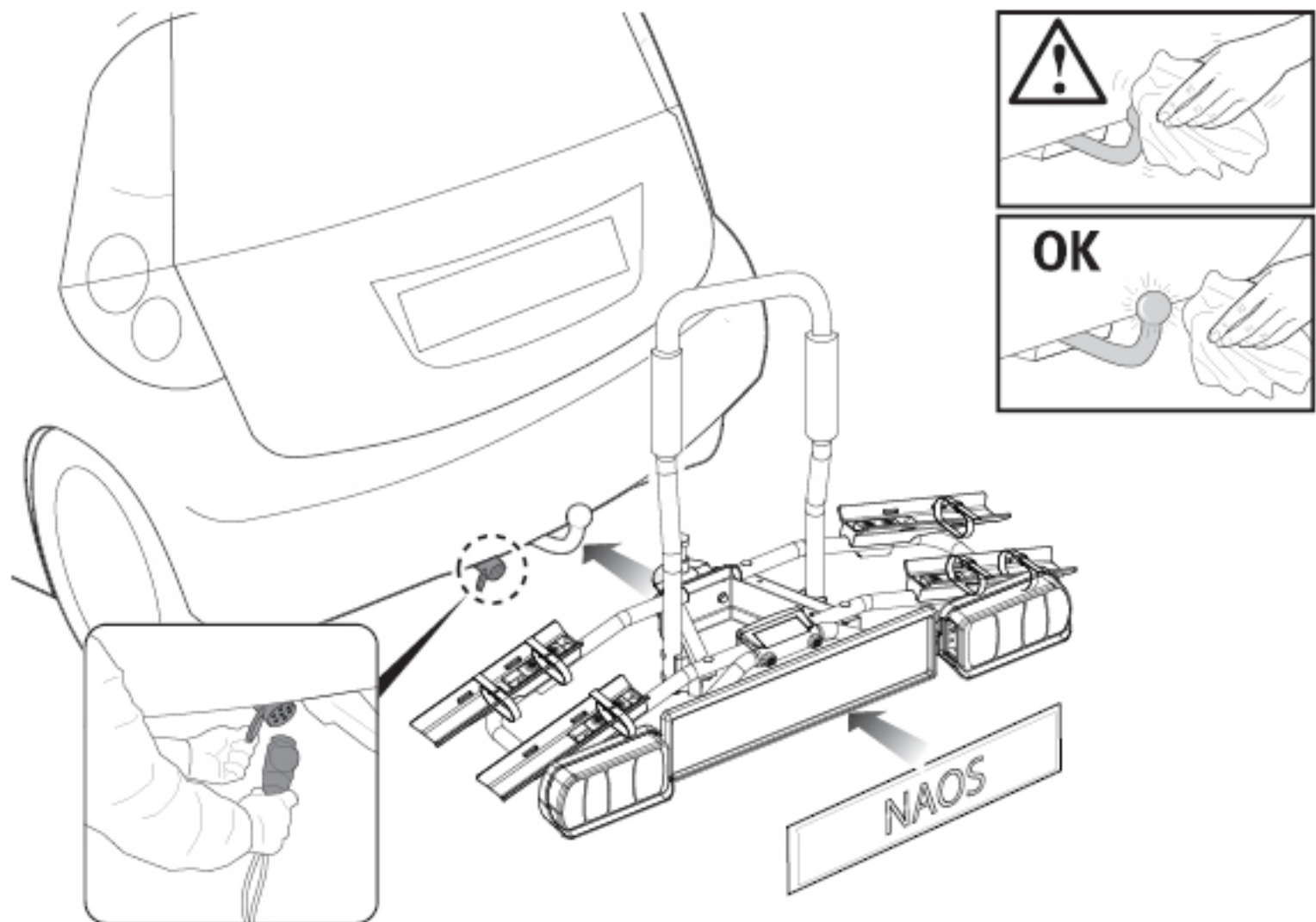
N		Q
26		6



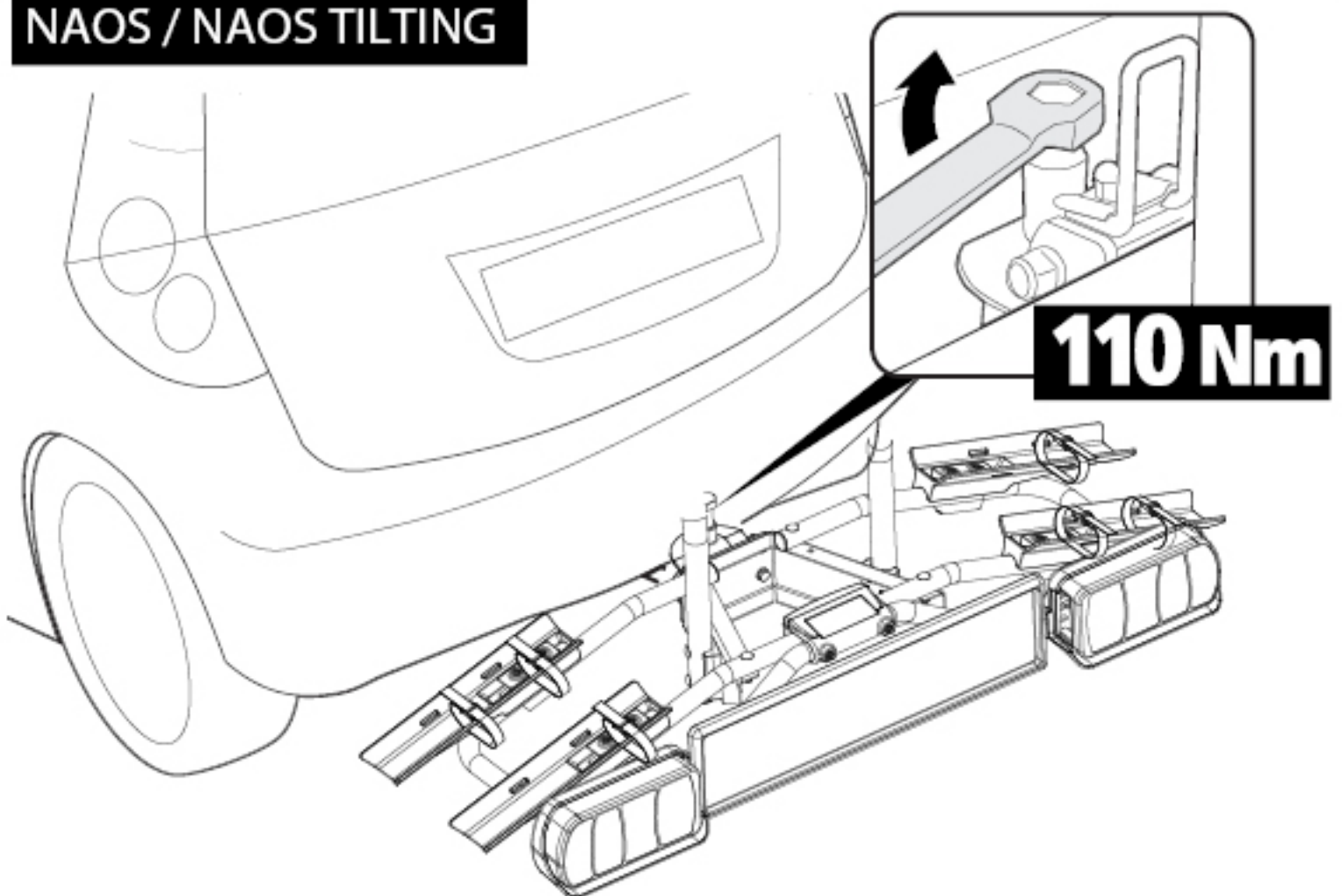
NAOS TLTING / NAOS RAPID

N		Q
10		2

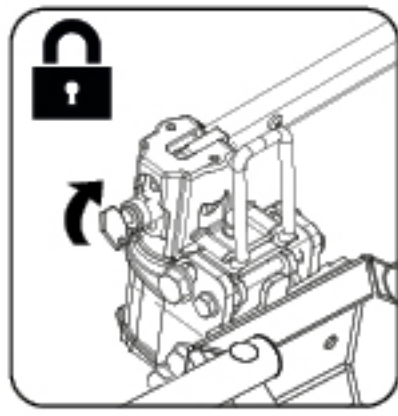
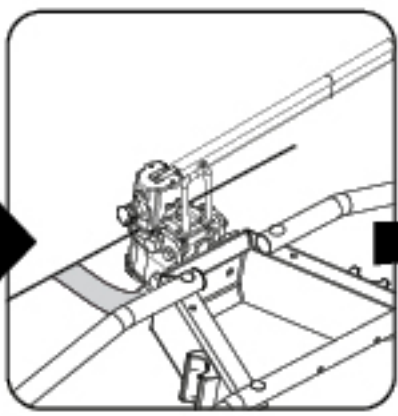
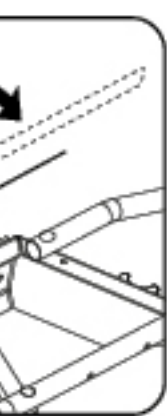
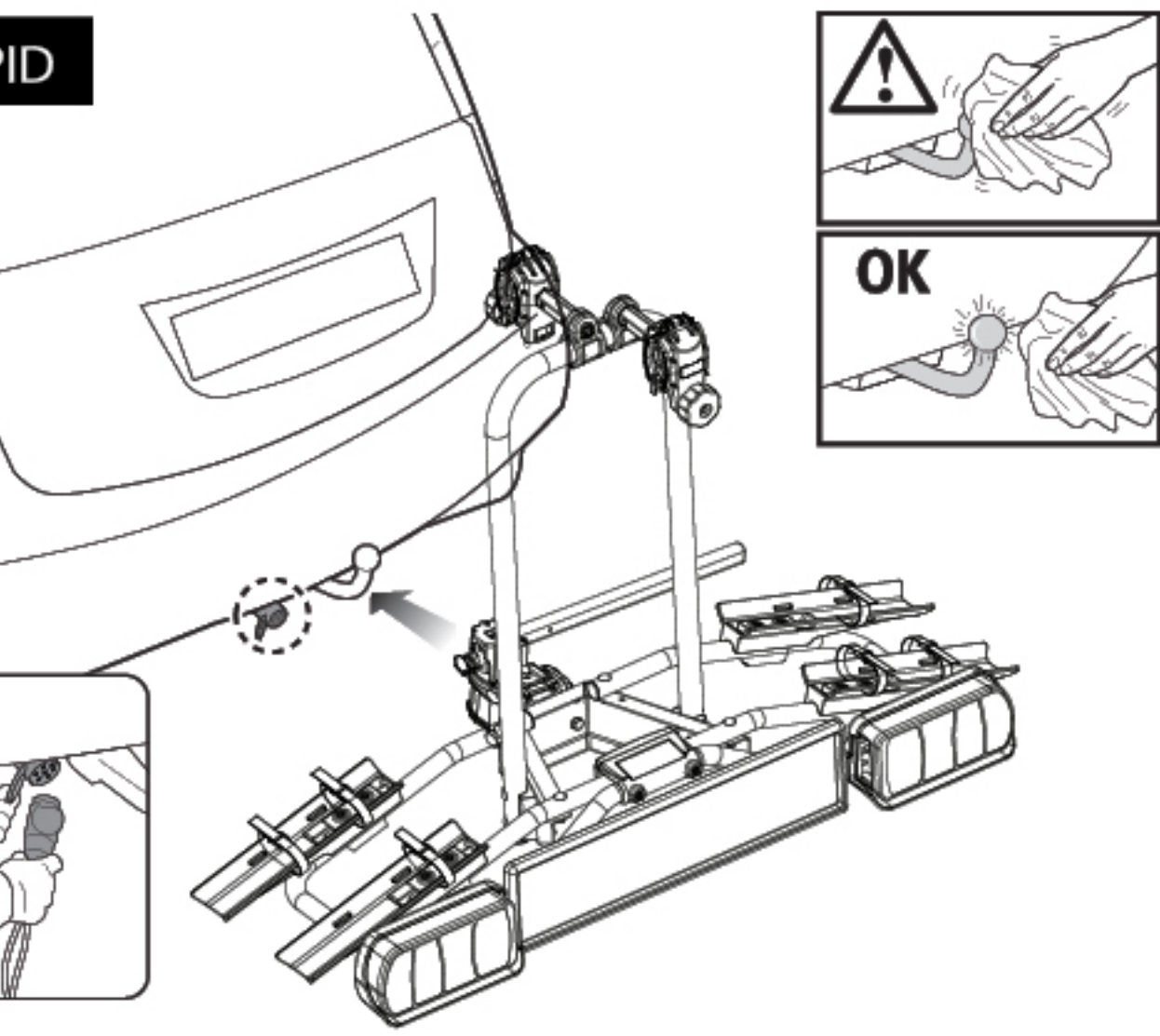


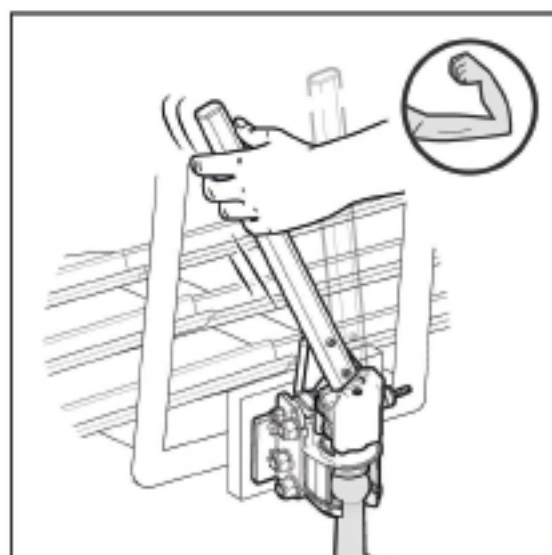
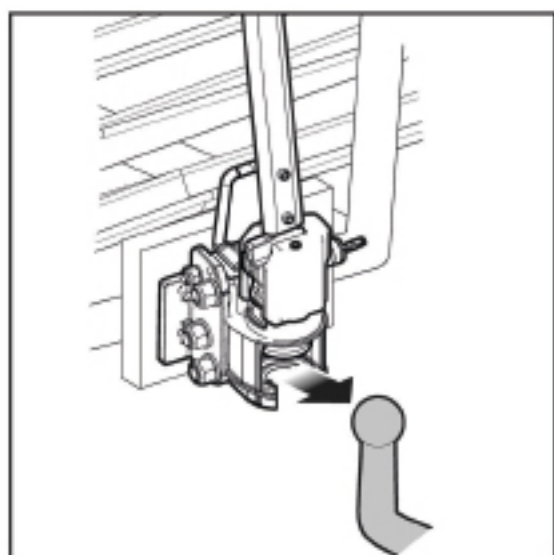


NAOS / NAOS TILTING

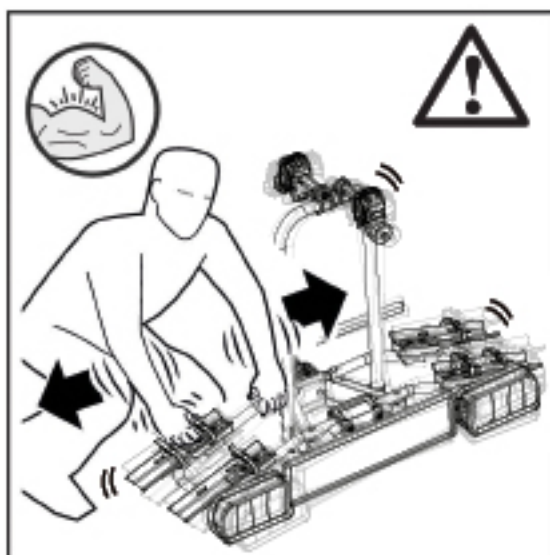
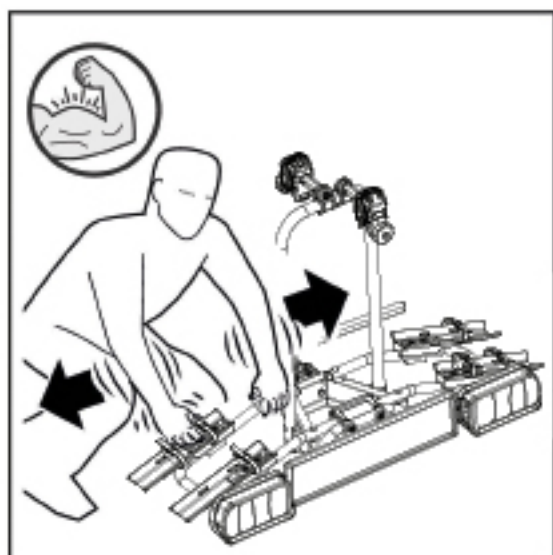
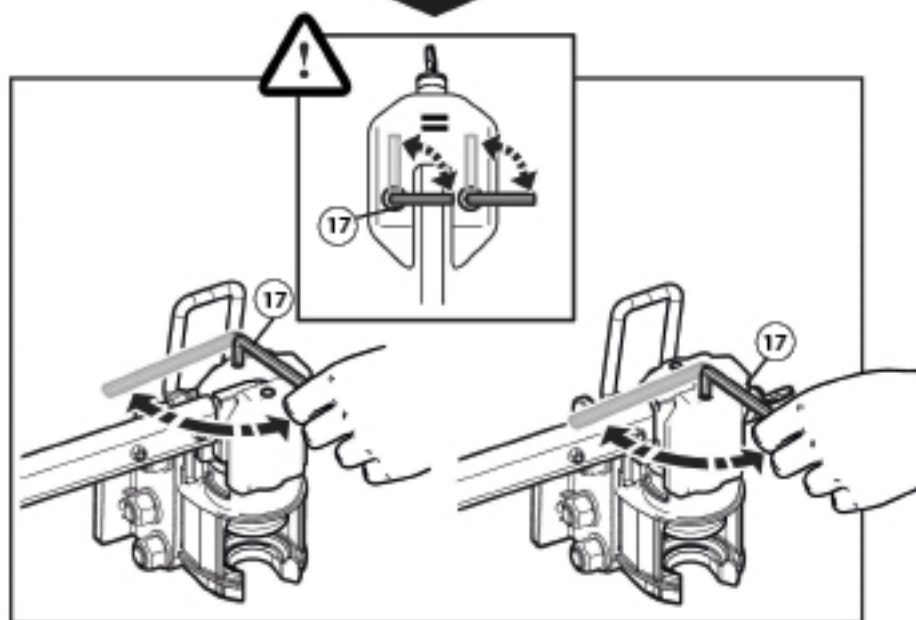
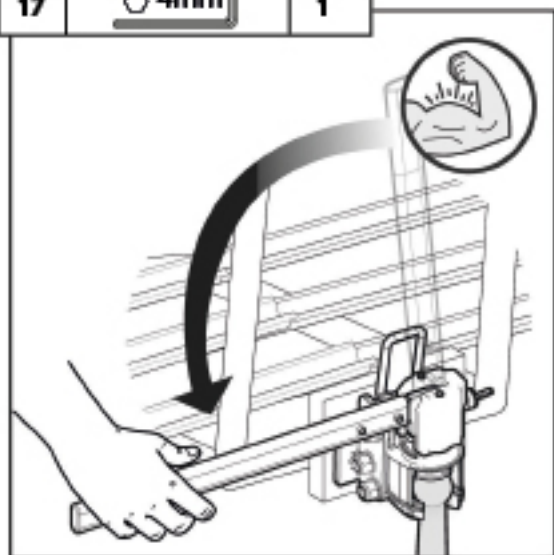



ID

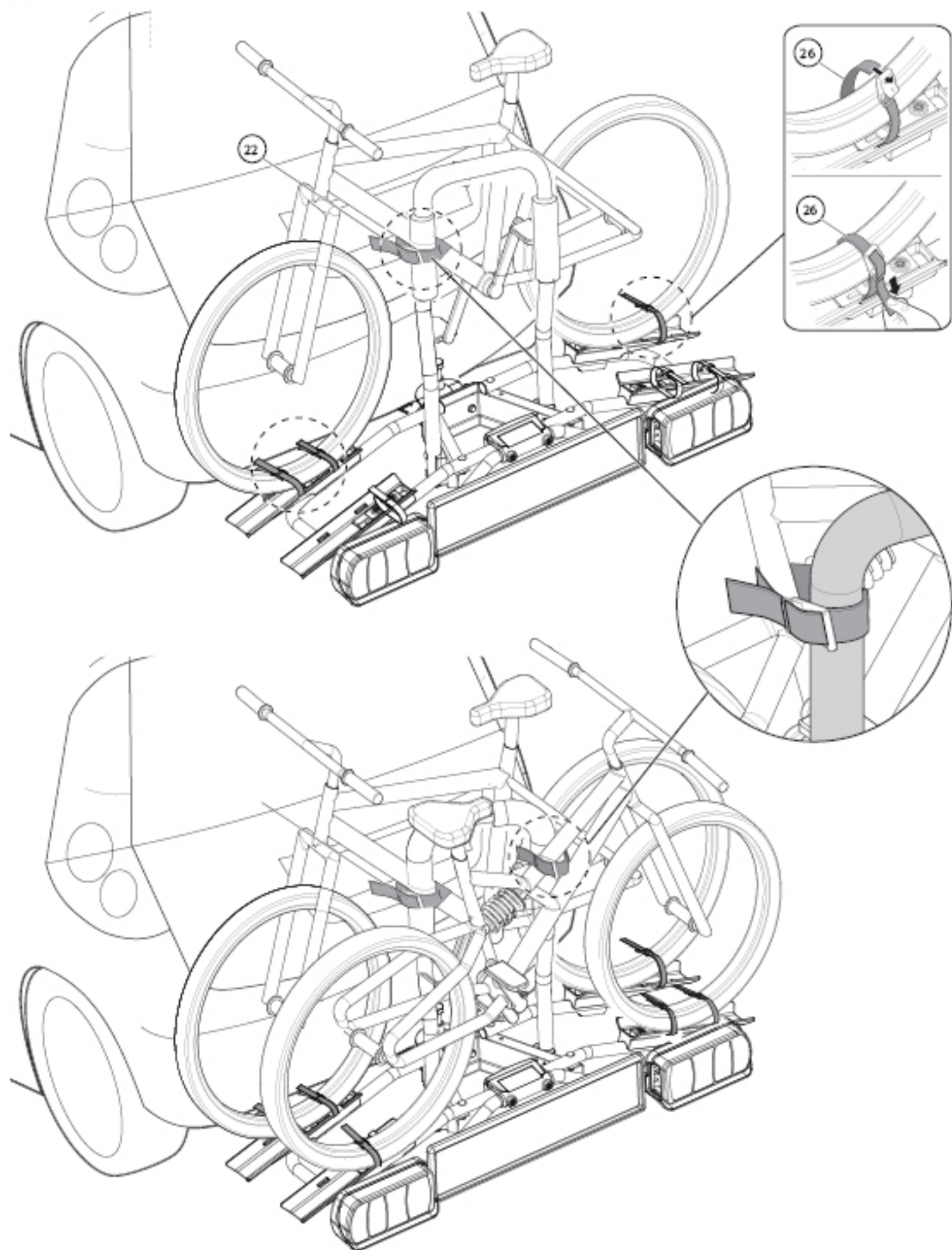




N		Q
17	○ 4mm	1

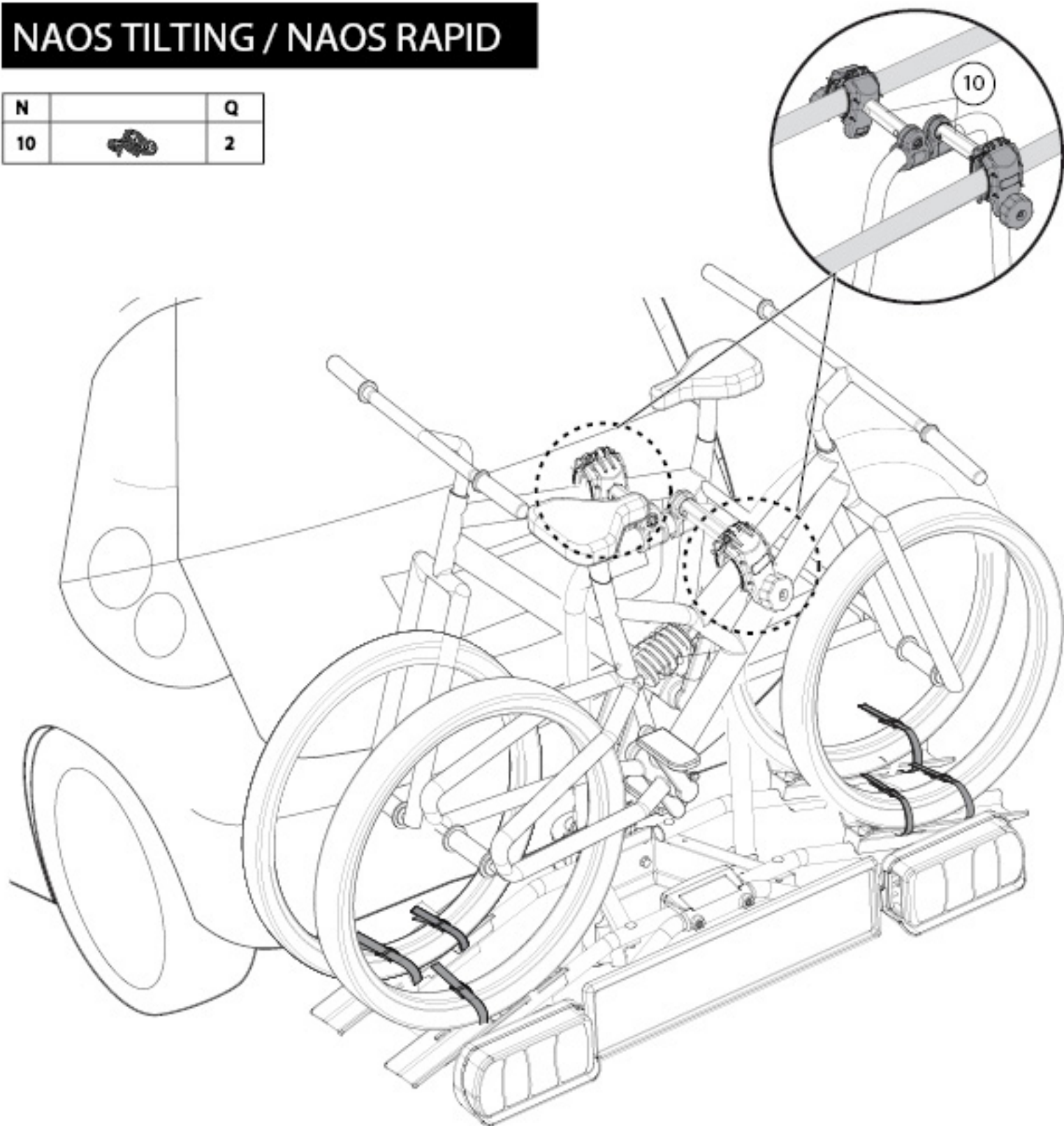


N		Q
22	 MT 0,6	2



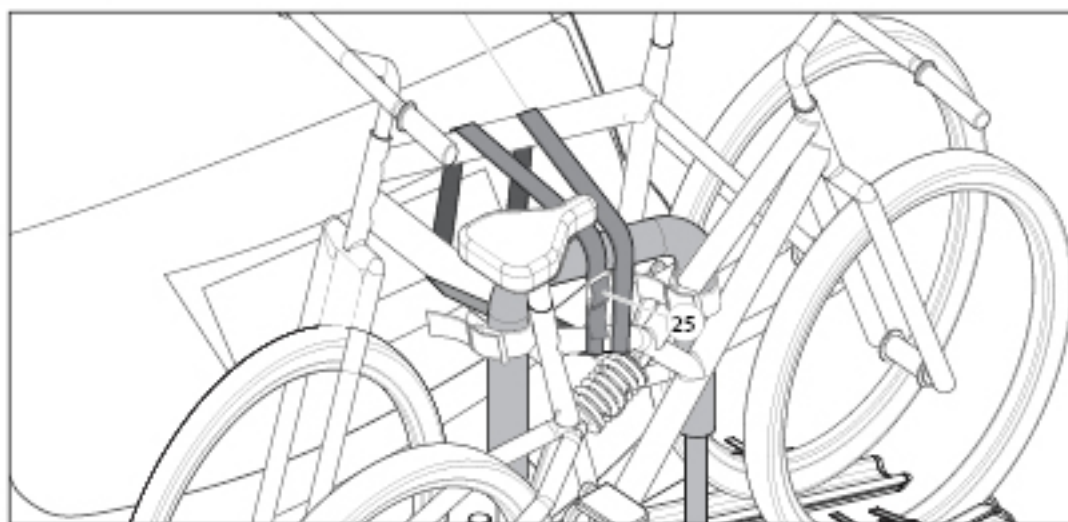
NAOS TILTING / NAOS RAPID

N		Q
10		2

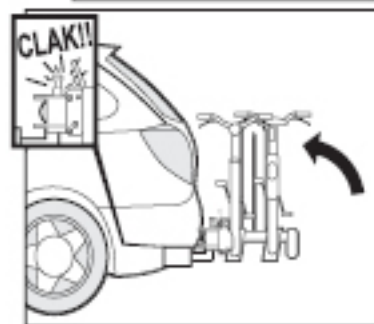
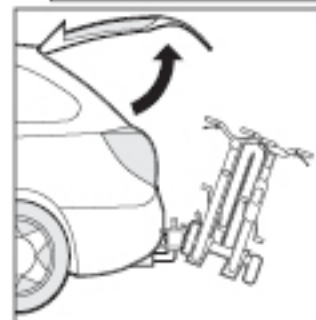
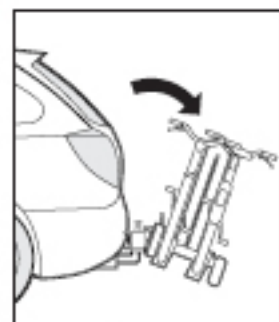
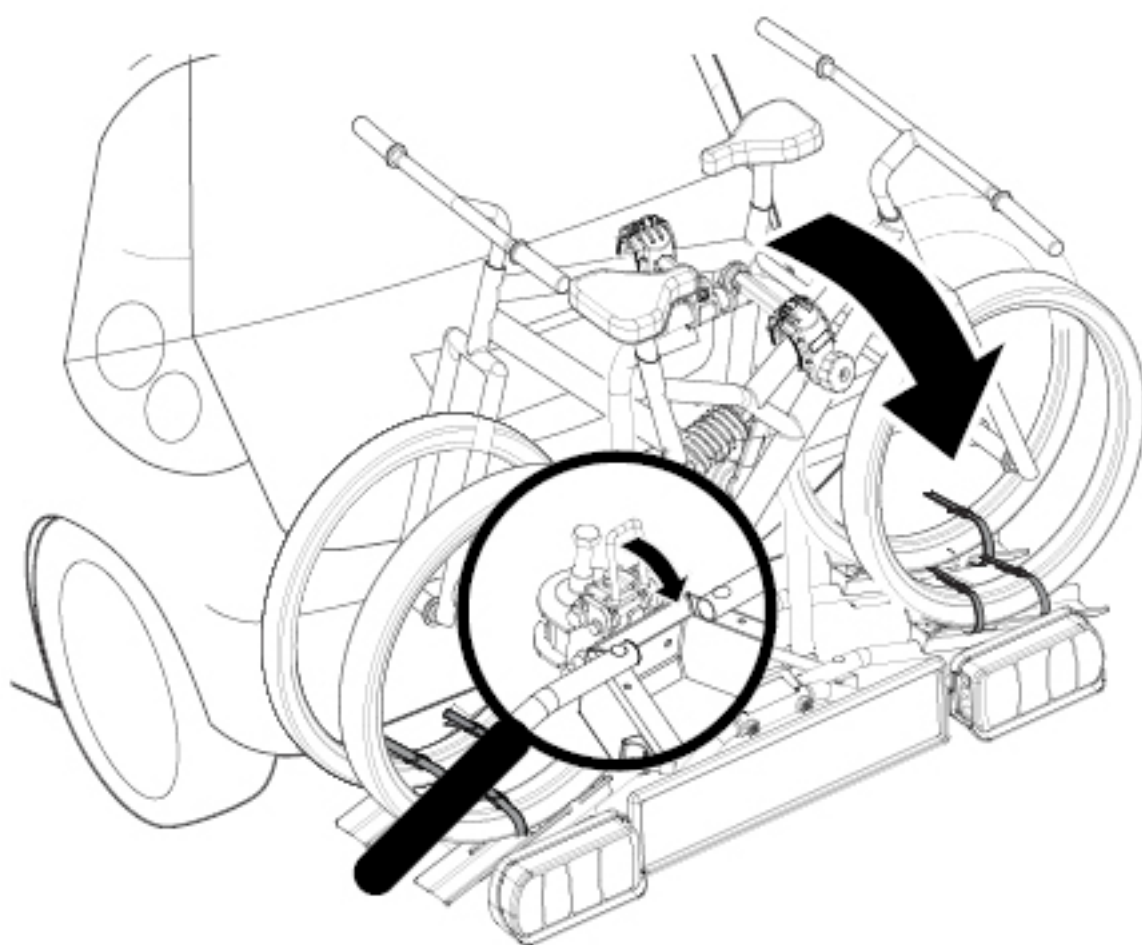


NAOS / NAOS TILTING / NAOS RAPID

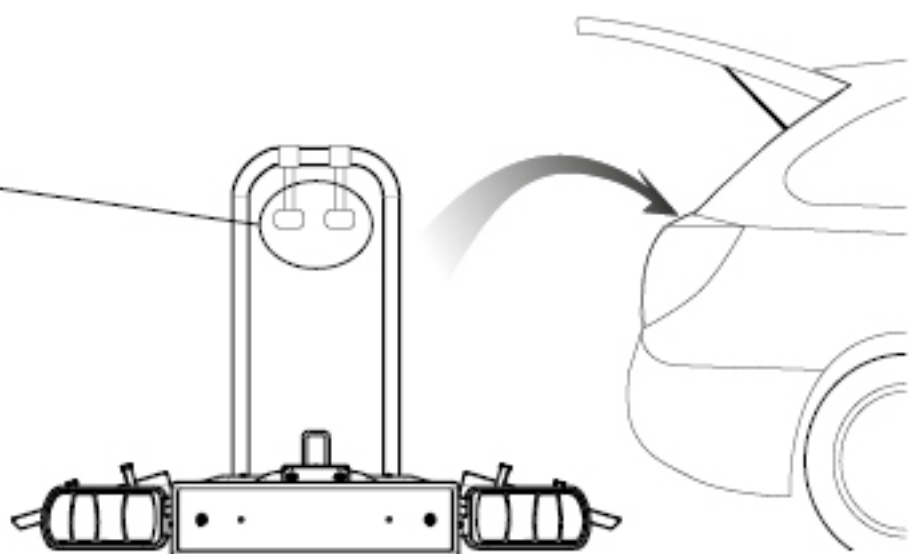
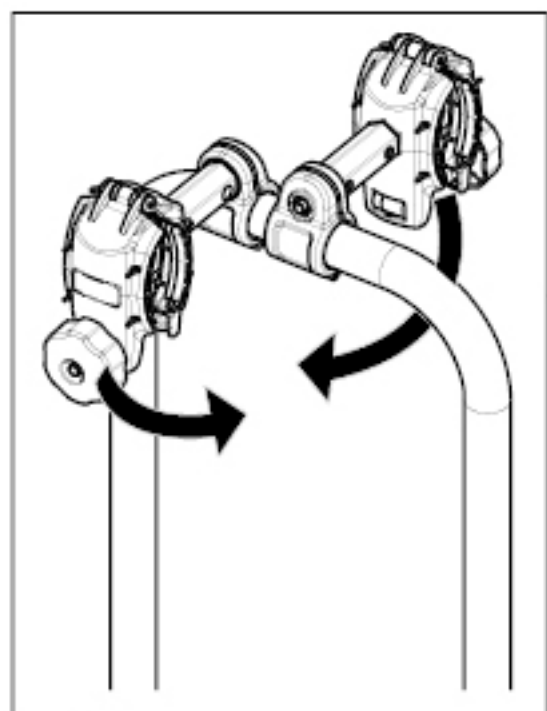
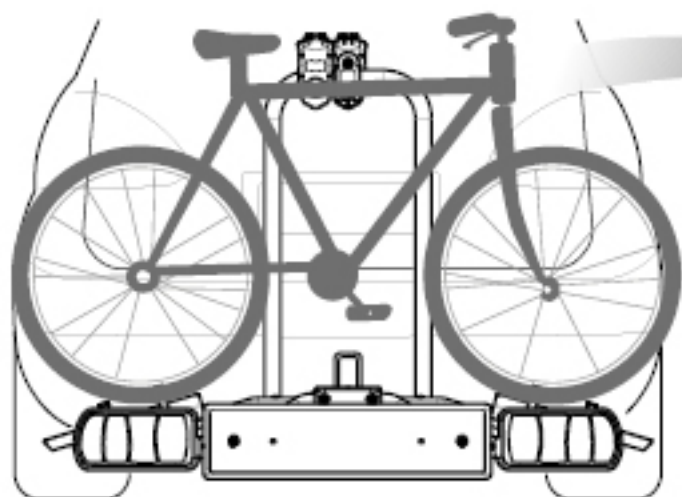
N		Q
25	 MT 2,5	1



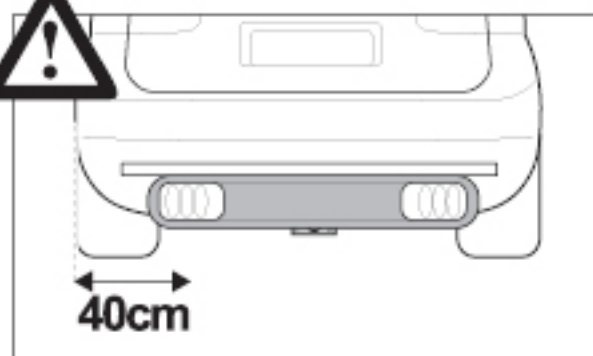
NAOS TILTING / NAOS RAPID

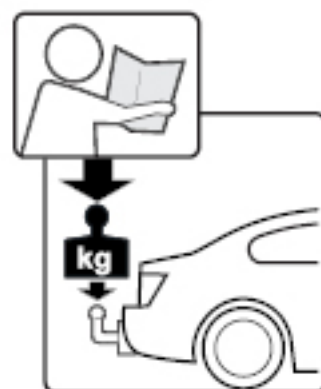


NAOS TILTING / NAOS RAPID



**NO
TANDEM**





 	 NAOS	 MAX 15 kg 2x	 NAOS TILTING	 MAX 15 kg 2x	 NAOS RAPID	 MAX 15 kg 2x
50kg >50kg	9,1kg	MAX 30 kg MAX 30 kg	12 kg	MAX 30 kg MAX 30 kg	13,7kg	MAX 30 kg MAX 30 kg

Cod. Aut.	Cod. lista	Data	Creato da	Approvato da
000077300000 000078000000 000080000000	5000107000000	17/11/2014	MP	EL

MENABO

Flli Menabò S.r.l.

Via 8 Marzo, 3

I - 42025 Cavriago (RE)

Tel. +39-0522/942840

Fax. +39-0522/942948

e-mail: info@flli-menabo.it

Web-site: www.flli-menabo.it